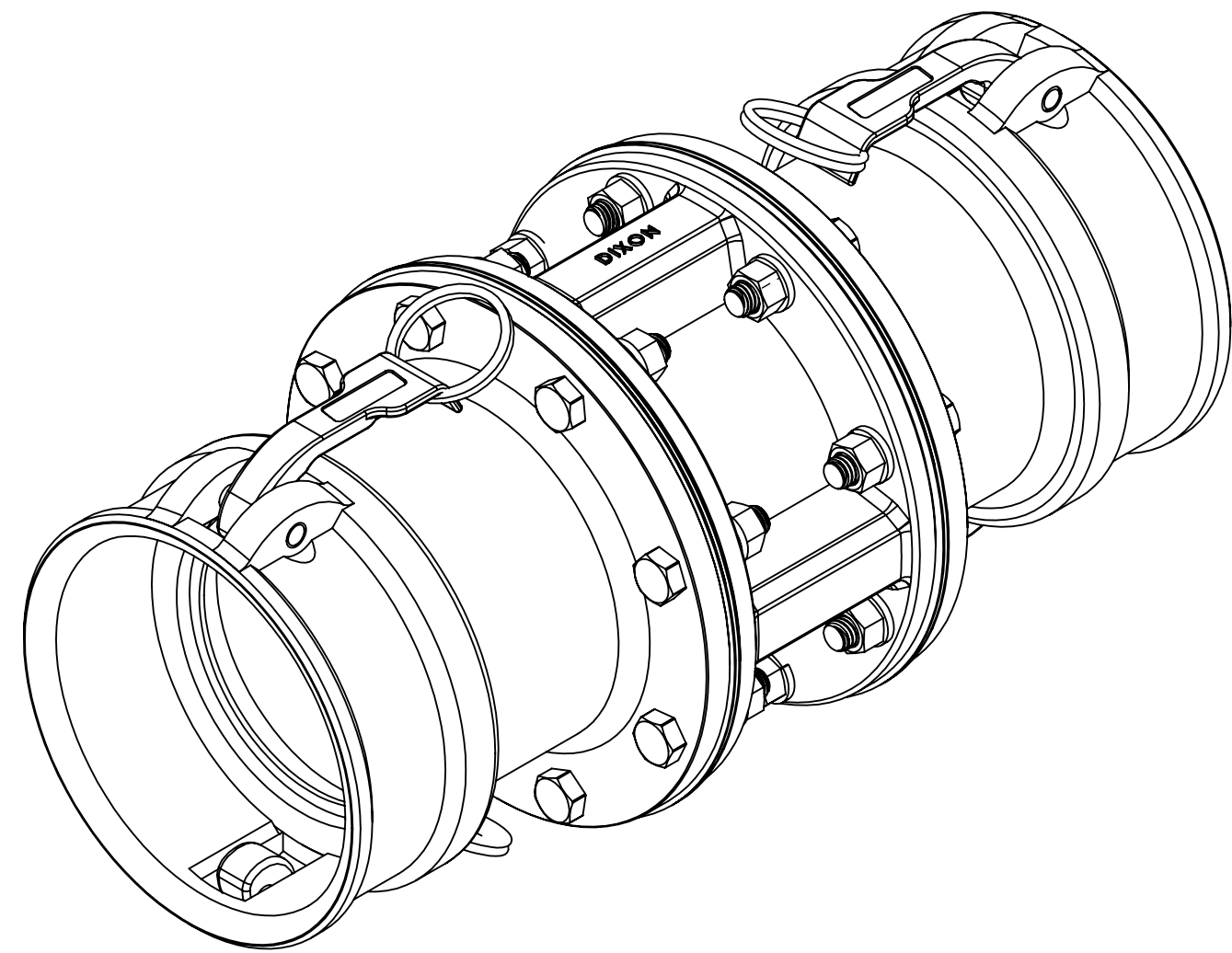
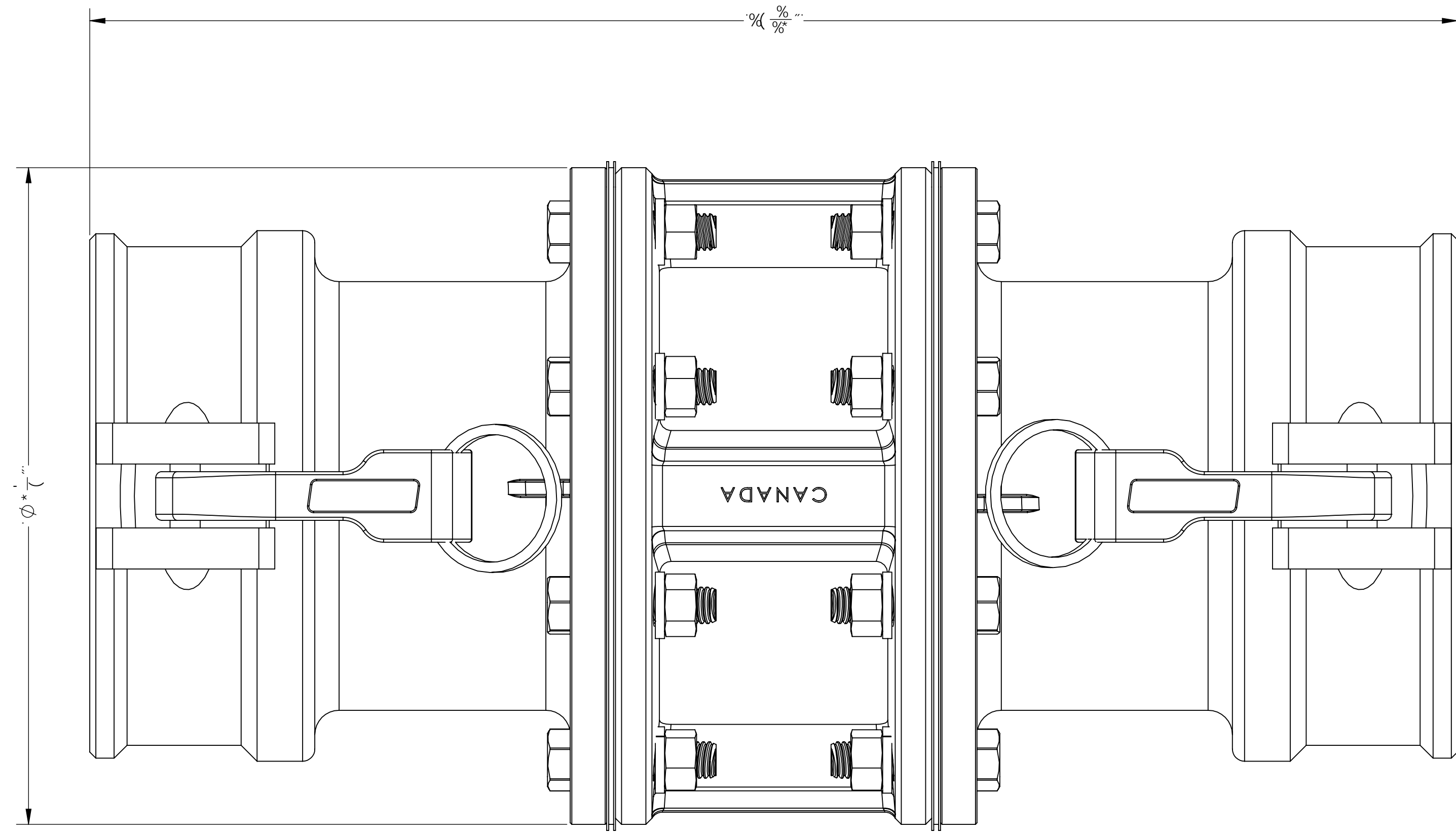
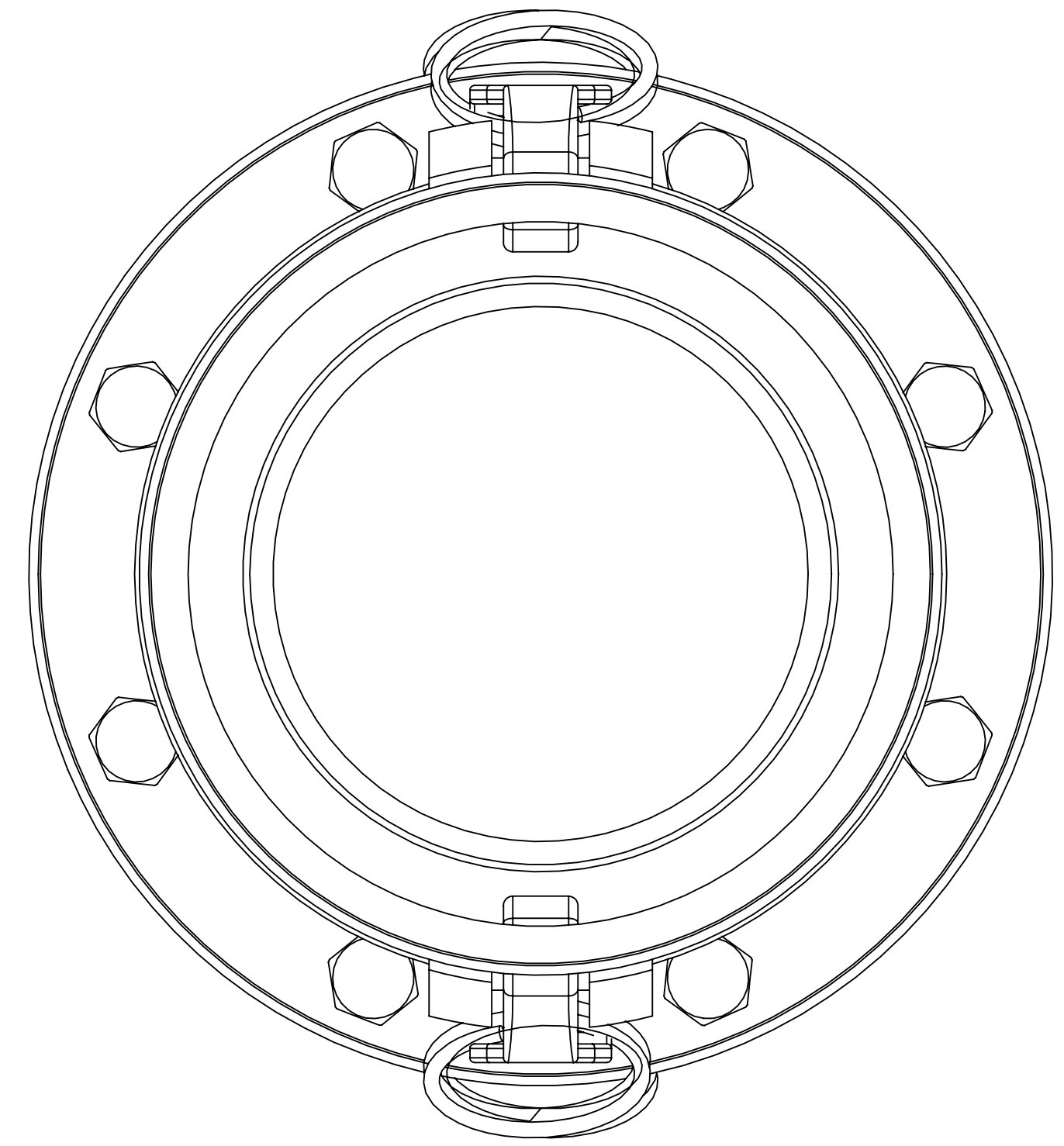
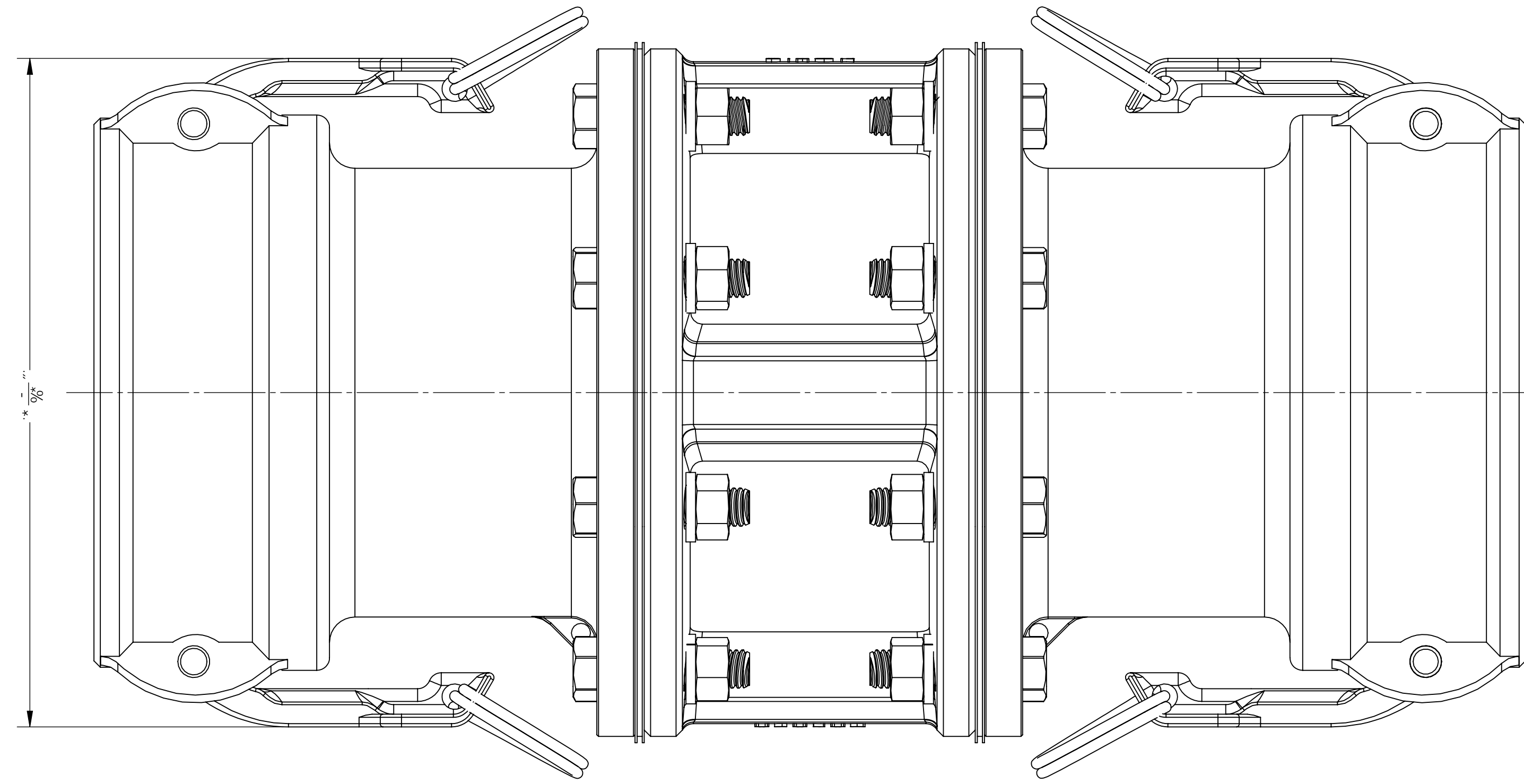


<b>F9J-GCBG</b>			
F9J	89G7 F-BHC B	85HP	5DDFC J 98
5	F9095 G9	)# 485%(	: 5<@



<b>8 J   cb '6 UmW' 1 G5</b>		HHB	
7b Vb L C  1cZl 'G5 5 8 J 7 4 W 7 ca dkm		<b>G4 &lt;H'; @ GG'5 GG9 A6 @</b>	
<small>H-48FSK-B; -67CB; -89BHS (DPCDFHM C: 84CB 83M/C; 0525 844040C; 8177 588 45G 0-27H4; 9214 F8 CB 85A580" ①7CMP=H8855 8C BCT7CDM</small>			
8a "HC @ F5 B7 G1 B @ GG G29 / 4-48 47-4CL 27 38; 871-89; 527HCB 28 18 LL 24 38; 871-89 55 A51 56; @C 188		<small>GAB 8FSKB6M 8 : 5 &lt; @ G75 @ : 1 @ @ 85HP</small>	<small>8K; BC" ) 8\$ 7 7 ! 7 GH 5 S) A5 M8\$ % G&lt;99H % " C " %</small>
		F9J	